

Level control level switches for corrosive liquids and temperatures up to 125°C



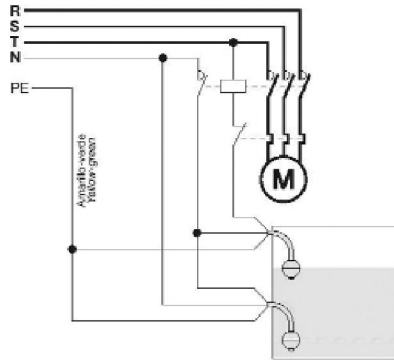
AKO-53161



AKO-53165

In AISI 316 stainless steel, highly corrosion-resistant.

- Operating temperature between -20°C and +125°C.
- Include 1 m of silicon cable of 3 x 0.5 mm².



Reference	Description	Family	Pack
AKO-53161	Horizontal Surface 60VA. 250~, 40 bar, ø 52 mm	3315	1 Unit
AKO-53165	Horizontal Surface 40VA. 250~, 15 bar, ø 30 mm	3315	1 Unit

Level control level switches for corrosive liquids and temperatures up to 125°C



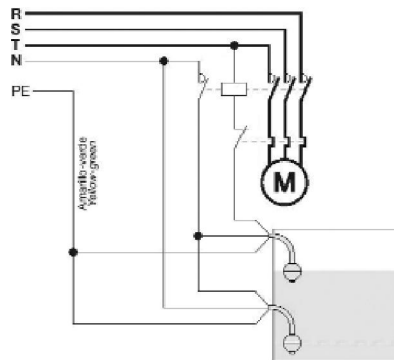
AKO-53162



AKO-53166

In AISI 316 stainless steel, highly corrosion-resistant.

- Operating temperature between -20°C and +125°C.
- Include 1 m of silicon cable of 3 x 0.5 mm².



Reference	Description	Family	Pack
AKO-53162	Vertical Surface 60VA. 250~, 40 bar, ø 52 mm	3315	1 Unit
AKO-53166	Vertical Surface 40VA. 250~, 15 bar, ø 30 mm	3315	1 Unit